

Ku-band 2W BUC

MODEL No. NJT5036 series

< Features >

- * **High Efficiency & Low Distortion**
 - P1dB: +33 dBm min. over temperature
 - Power Consumption: 26 W
 - ACPR: -26 dBc max. @ Pout = +32 dBm
- * **Small Size & Light Weight**
 - Weight: 1.2 kg
- * **RoHS Compliance**



< Line-Up >

| Model No. | RF Frequency | Local Frequency | IF Frequency | Output Power @ P1dB | IF Connector | Power Supply |
|-----------|-------------------------------|-----------------|---------------------|-----------------------------|--------------|-----------------------------|
| NJT5036 | 14.0 to 14.5 GHz (Ku-band) | 13.05 GHz | 950 to 1,450 MHz | 2W Linear (+33 dBm typ.) | N-type | +24 VDC (+15 to +30 VDC) |
| NJT5036F | | | | | F-type | |

< Specifications >

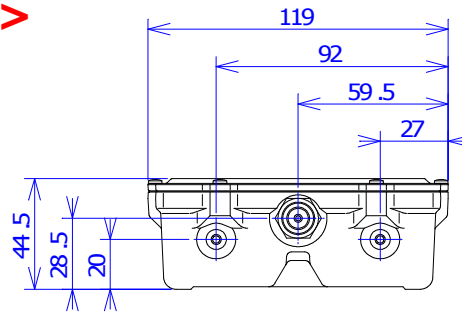
| Item | Specifications |
|---|---|
| Output Interface | Waveguide, WR75 (with Groove) |
| Input Interface | N-type, female (50 ohm) [Model No.: NJT5036] F-type, female (75 ohm) [Model No.: NJT5036F] |
| Output Power @ 1 dB G.C.P. | +33 dBm min. over temperature |
| Linear Gain | 53 dB nom. |
| ACPR Compliance with IESS308 / SSOG | -26 dBc max. @ Pout = +32 dBm |
| Requirement for External Reference | [Frequency] 10 MHz (sine-wave) [Input Power] -5 to +5 dBm @ Input port [Phase Noise] -125 dBc/Hz max. @ 100 Hz -135 dBc/Hz max. @ 1 kHz -140 dBc/Hz max. @ 10 kHz |
| L.O. Phase Noise | -60 dBc/Hz max. @ 100 Hz -70 dBc/Hz max. @ 1 kHz -80 dBc/Hz max. @ 10 kHz -90 dBc/Hz max. @ 100 kHz |
| Receive Band Noise Density | -110 dBm/50kHz max. @10.95 to 12.75 GHz |
| Input V.S.W.R. | 2.0 : 1 max. |
| Output V.S.W.R. | 2.0 : 1 max. |
| Power Requirement | +24 VDC (+15 to +30 VDC) |
| Power Consumption | 26 W max. |
| Mute | Shut off the HPA in case of L.O. unlocked or no 10 MHz reference signal. |
| Temperature Range (ambient) | -40 to +55 C (operating), -40 to +75 C (storage) |
| Dimension & Housing (without Interface Connectors) | 172.9 mm (L) x 119 mm (W) x 44.5 mm (H) [6.81" (L) x 4.69" (W) x 1.75" (H)] |
| Weight | 1.2 kg [2.6 lbs] |

■ Ku-band 2W BUC

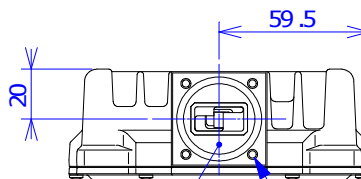
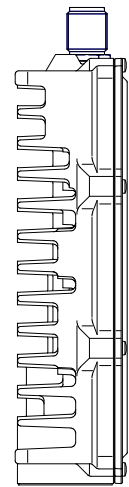
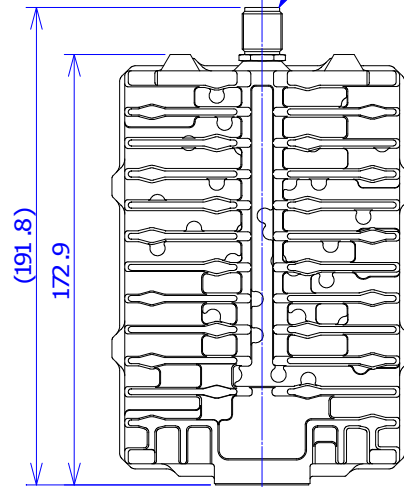
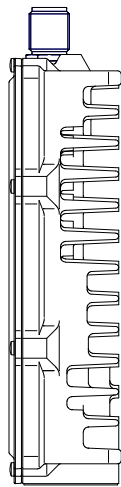
MODEL No. **NJT5036** series

< Outline Drawing >

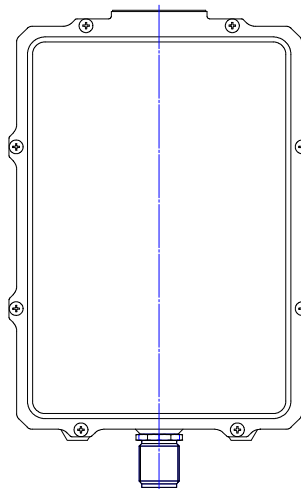
NJT5036



N-type, female connector
 IF / Ref. (10MHz)
 DC Power: +15 to +30 VDC



WR-75 4-M4 depth 6 min.



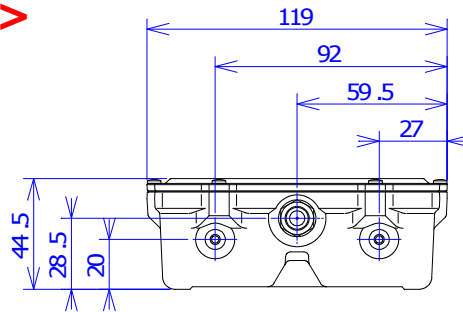
Unit: mm

■ Ku-band 2W BUC

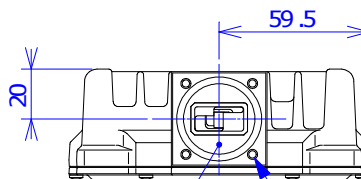
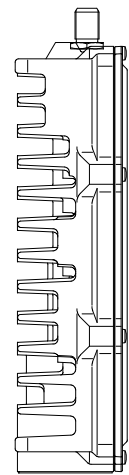
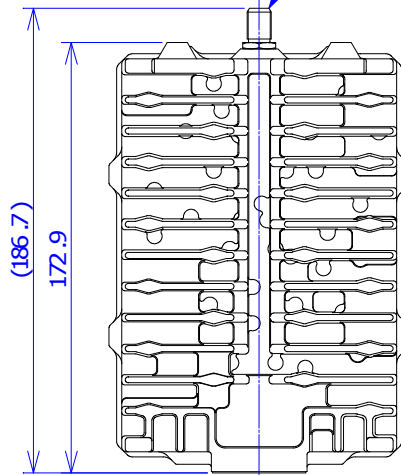
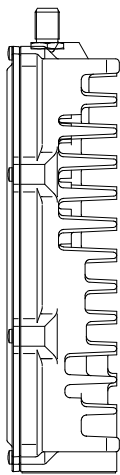
MODEL No. **NJT5036** series

< Outline Drawing >

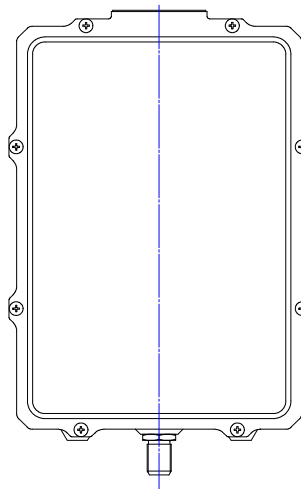
NJT5036F



F-type, female connector
 IF / Ref. (10MHz)
 DC Power: +15 to +30 VDC



WR-75 4-M4 depth 6 min.



Unit: mm